

18" CALVERTON

STAINLESS STEEL UNDERMOUNT PREP SINK

SKU: 948453



FEATURES

Material: Stainless Steel
Basin Split: Single
Shape: Square
Sink Installation: Undermount
Faucet Centers: No Faucet Hole
Number of Basins: 1
Product Color: Stainless Steel
Metal Gauge/Thickness: 16
Faucet Included: No
Faucet Holes: No Faucet Hole
Drain Placement: Rear-Center
Drain Included: Optional
Mounting Hardware Included: Yes
Minimum Cabinet Size: 21"
Type 304 Stainless Steel
It is Recommended to Have the Sink
at the Job Site Before Cutting
Cabinet or Counter Top
Sound Absorption Pads on the Underside of Sink
Has an Undercoating to Prevent Condensation
Buildup

CONTENTS

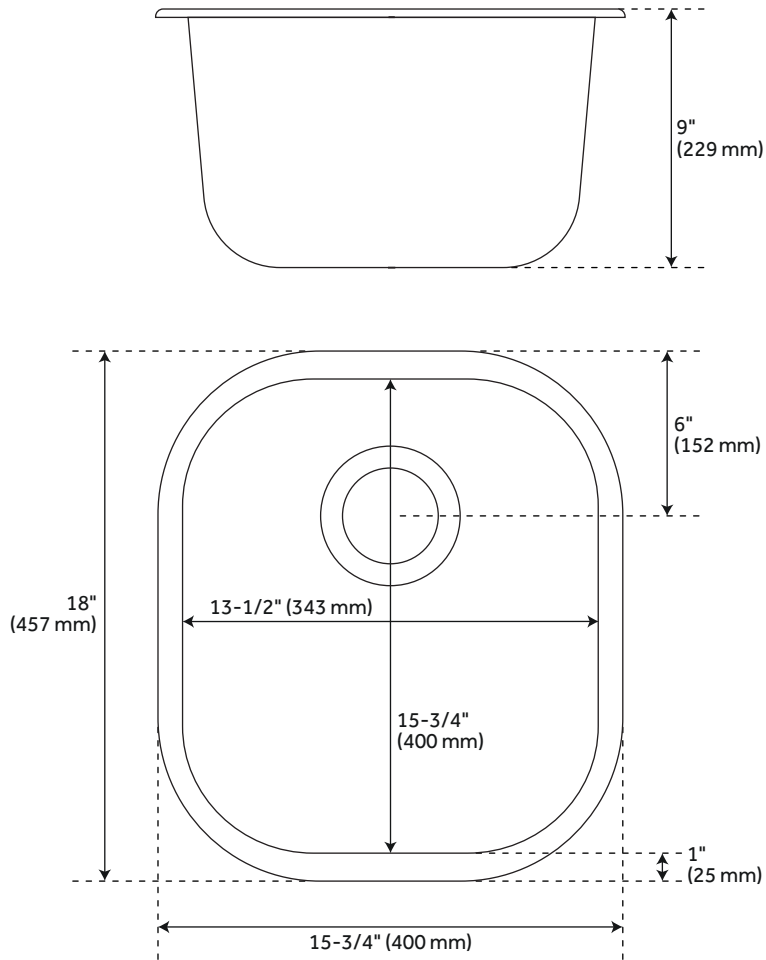
18" UNDERMOUNT SINK PAGE 2
SINK GRID PAGE 3

REVISED 02/18/2021

18" CALVERTON

STAINLESS STEEL UNDERMOUNT PREP SINK

SKU: 948453



FEATURES

Length: 18"
Width: 15-3/4"
Height: 9"
Basin Length: 13-1/2"
Basin Width: 15-3/4"
Water Depth to Rim: 10"
Drain Size: 3-1/2"

CODES/STANDARDS

cUPC
ASME A112.19.3/CSA B45.4
Massachusetts Accepted

PRODUCT IMAGE



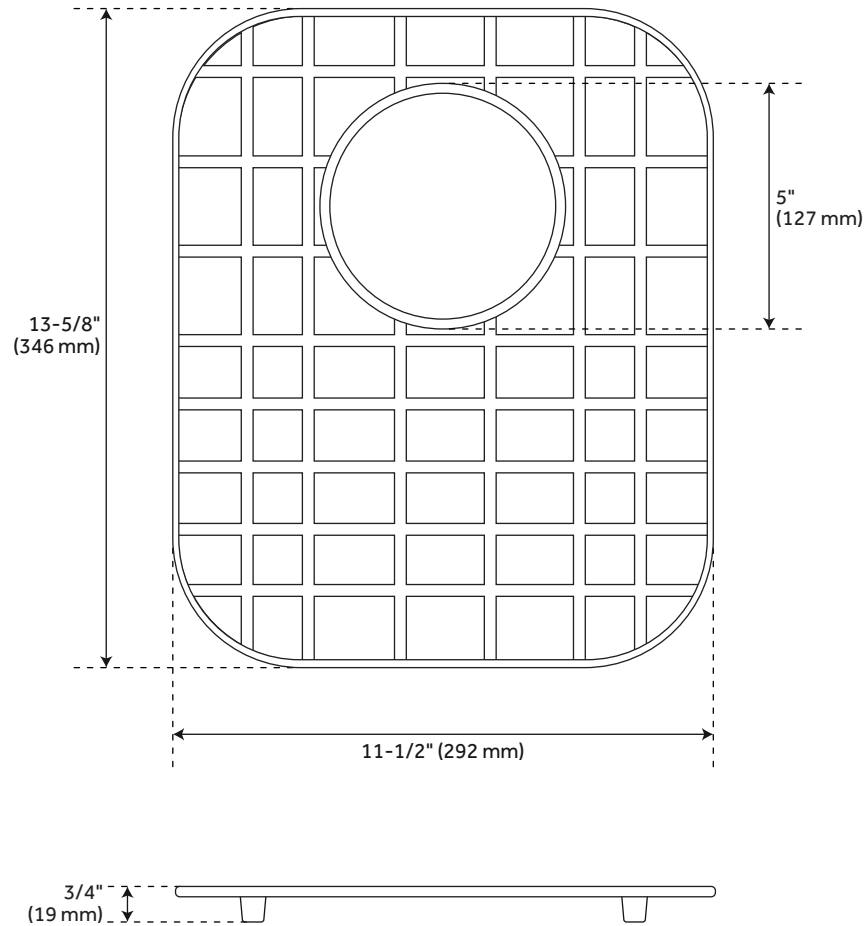
All dimensions and specifications are nominal and may vary. Use actual products for accuracy in critical situations.

PAGE 2
Code: SHCAUC1517

SINK GRID

FOR STAINLESS STEEL UNDERMOUNT PREP SINK

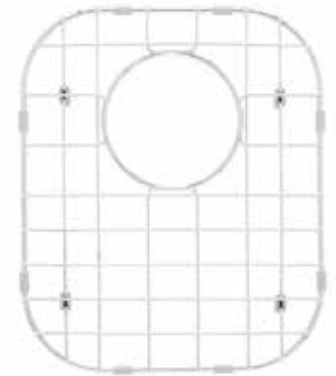
SKU: 948453



FEATURES

Material: Stainless Steel
Length: 11-1/2"
Width: 13-5/8"
Height: 3/4"
Drain Size: 5"

PRODUCT IMAGE



All dimensions and specifications are nominal and may vary. Use actual products for accuracy in critical situations.

PAGE 3
Code: SHG1315